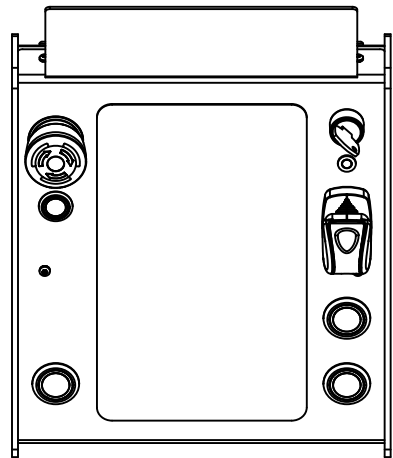
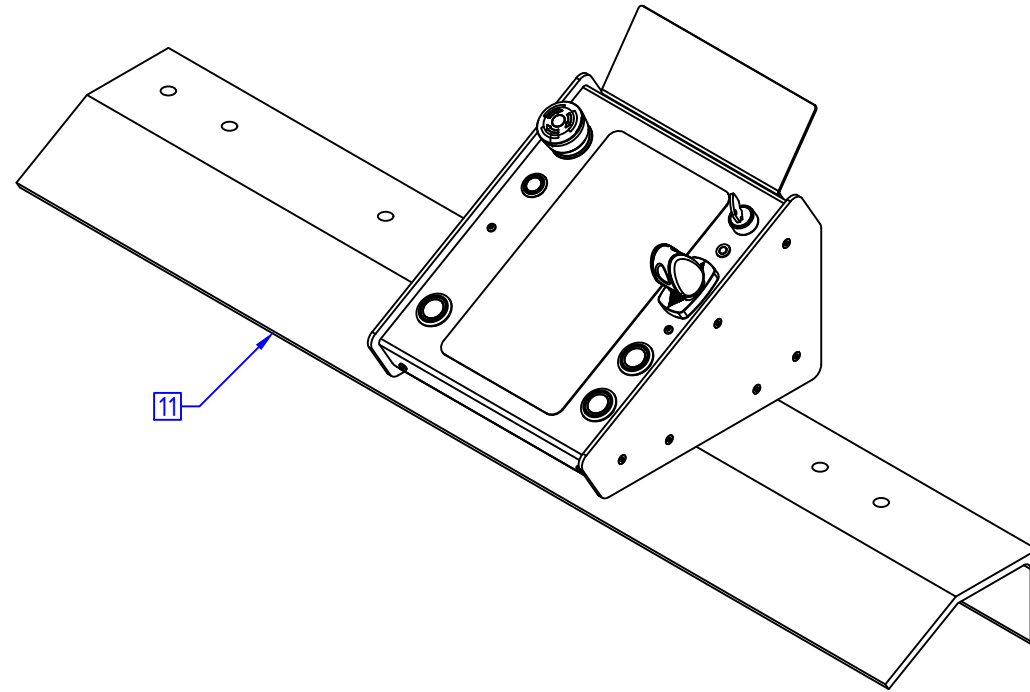


SHEET NOTES:

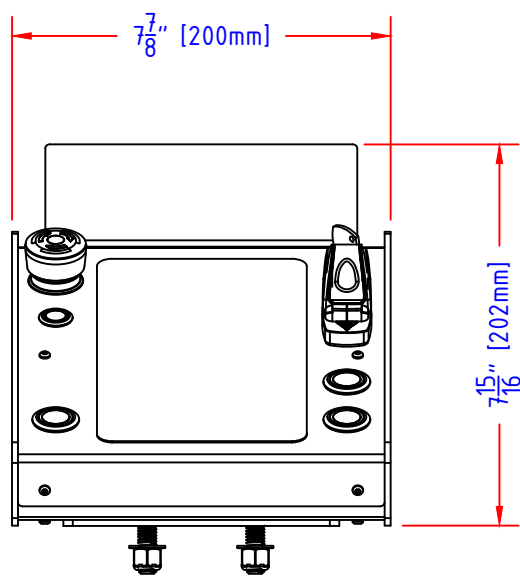
- 1. "EMERGENCY STOP" MUSHROOM BUTTON
- 2. "E-STOP RESET" PUSHBUTTON
- 3. CUE "HOLD TO RUN" PUSHBUTTON
- 4. SYSTEM ENABLE KEYSWITCH
- 5. STATUS LED
- 6. JOYSTICK
- 7. CUE "GO" PUSHBUTTON
- 8. CUE "STOP" PUSHBUTTON
- 9. 7" CAPACITIVE TOUCH SCREEN DISPLAY
- 10. LABEL MOUNTING PLATE
- 11. MOUNTING RAIL



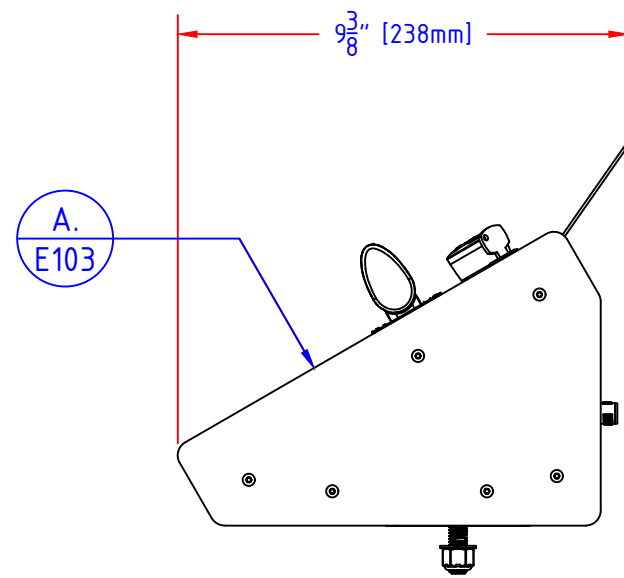
3. PLAN VIEW
SCALE 1:4



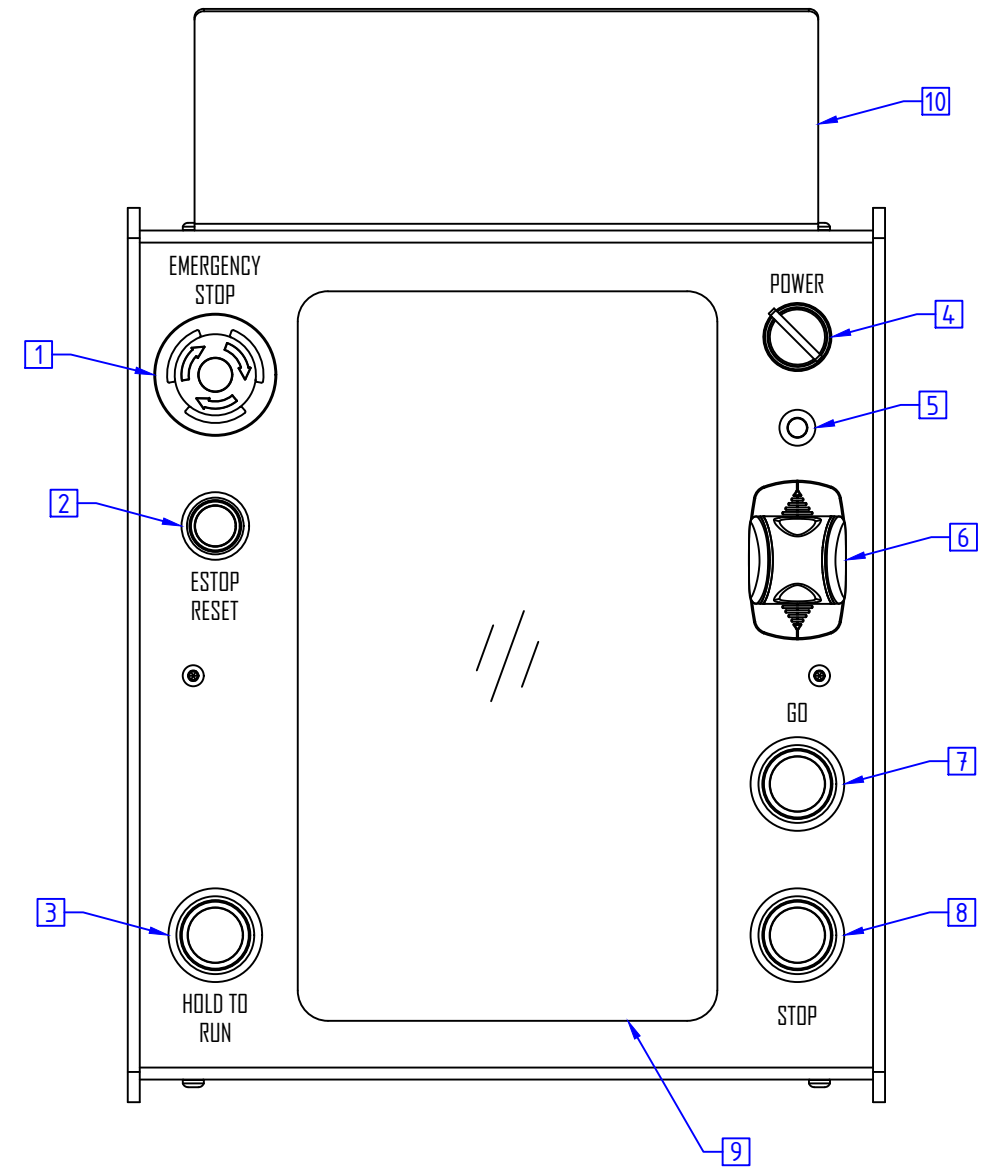
4. ISOMETRIC VIEW
AS INSTALLED ON RAIL
NOT TO SCALE



1. FRONT VIEW
SCALE 1:4



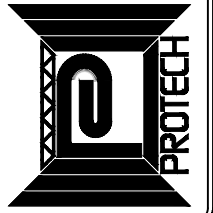
2. RIGHT SIDE VIEW
SCALE 1:4



AUXILIARY VIEW A.
CONTROL PANEL
SCALE 1:2

ALL RIGHTS RESERVED. PROTECH TECHNOLOGICAL SERVICES, INC. ALL RIGHTS OF DESIGN, INVENTION, PATENT, TRADE SECRET, OR OTHER INTELLECTUAL PROPERTY ARE RESERVED BY PROTECH TECHNOLOGICAL SERVICES, INC. FOR EXACT AND MANUFACTURING PURPOSES WITHOUT PRIOR WRITTEN PERMISSION FROM PROTECH TECHNOLOGICAL SERVICES, INC.

3431 NORTH BRUCE STREET
NORTH LAS VEGAS, NV 89030
702-639-0290
protechlv.com



REVISIONS

PROJECT COUNTERMATE CONSOLETTTE	SHEET TITLE CUT SHEET
------------------------------------	--------------------------

DATE 12/04/2024
FILE CM_consolette
DRAWN BY MK
CHECKED BY RM

